

BE-420UB-R30FP

2MP, 1080P, 30mIR, PoE, IP Bullet Camera



Features :

Optics

- Day/night functionality
- Optical glass window with higher light transmittance
- IR anti-reflection window to increase the infrared transmittance
- 3D DNR (Digital Noise Reduction)

Compression

- H.264/MJPEG
- Dual streams

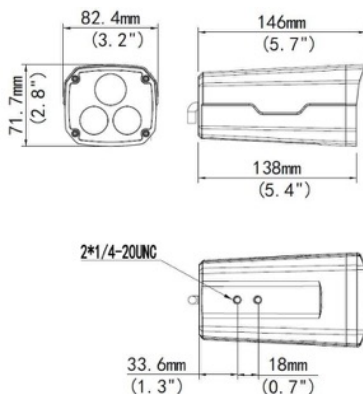
Network

- ONVIF Conformance

Structure

- Support PoE power supply
- Wide temperature range: -25°C to 60°C (-13°F to 140°F)
- Wide voltage range of $\pm 25\%$
- 4 KV surge protection designed for network interface
- IP66-rated

Dimension :



Specifications :

Camera	
Sensor	1/3", 2 Megapixel, progressive scan, CMOS
Focal length	3.6mm
Shutter	Auto/Manual, 1/6~1/8000 s
Day/Night	IR-cut filter with auto switch (ICR)
IR	30m(98 ft) IR range
Auto white balance	Auto/Manual
Gain Control	Auto/Manual
WDR	Digital
Noise Reduction	2D/3D
Video	
Maximum Resolution	1920*1080
Video Compression	H.264/MJPEG
Frame Rate	1080P (1920*1080): Max. 30 fps; 720P (1280*720): Max. 30 fps; D1 (720*576): Max. 25 fps
Video Streaming	Dual
OSD	Up to 8 OSDs
Motion Detection	Up to 2 areas
Privacy Mask	Up to 4 areas
Network	
Protocols	L2TP, IPV4, IGMP, ICMP, ARP, TCP, UDP, DHCP, PPPoE, RTP, RTSP, Qos, DNS, DDNS, NTP, FTP, UPnP, HTTP, SNMP, SIP
Comp. Integration	ONVIF
Interface	
Network	10M/100M Base-TX Ethernet
General	
Power supply	12 V DC, or PoE (IEEE802.3 af)/3.5 W (with IR on: extra 2 W)
Dimensions (L×W×H)	146 × 82.4 × 71.7 mm (5.7" × 3.2" × 2.8")
Weight	0.26 kg (0.57 lb)
Working Environment	-25°C~+60°C (-13°F~140°F), Humidity ≤ 90% RH (nc)
Ingress Protection	IP66